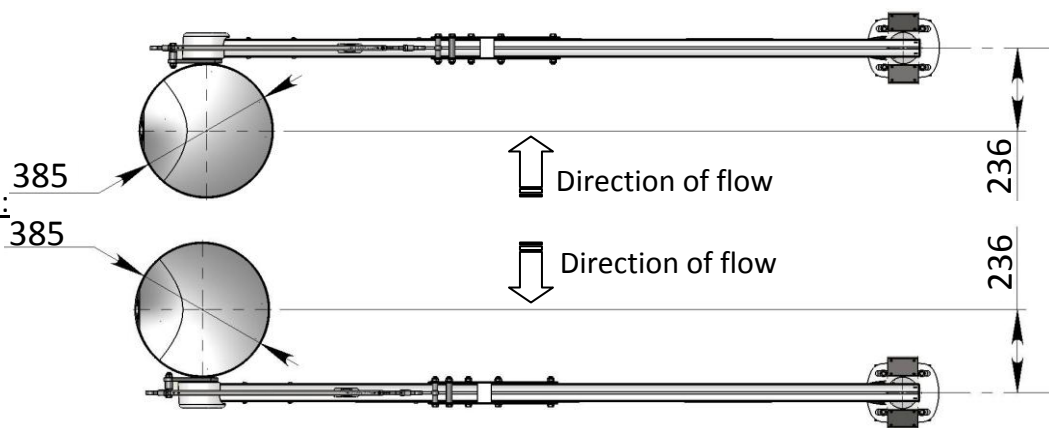
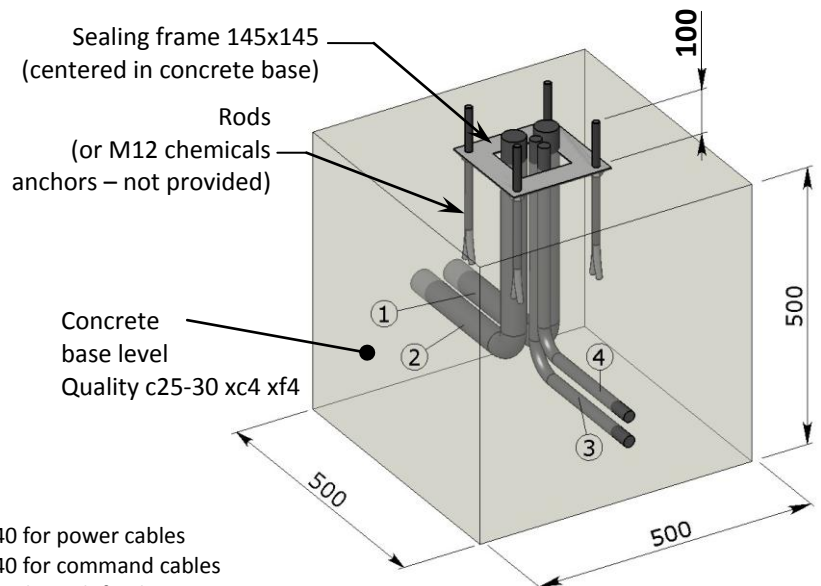
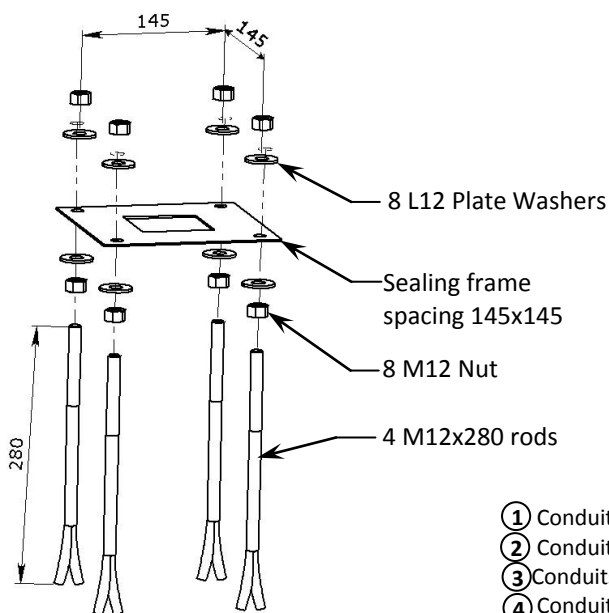


Arm on left:

Arm on right:



**Barrier sealing frame:**



- ① Conduits Ø 40 for power cables
  - ② Conduits Ø 40 for command cables
  - ③ Conduits Ø 20 through feeder
  - ④ Conduits Ø 20 for photo-electric cells and tip supports requiring power supply
- (Extend conduits out of the concrete base by 200mm)